

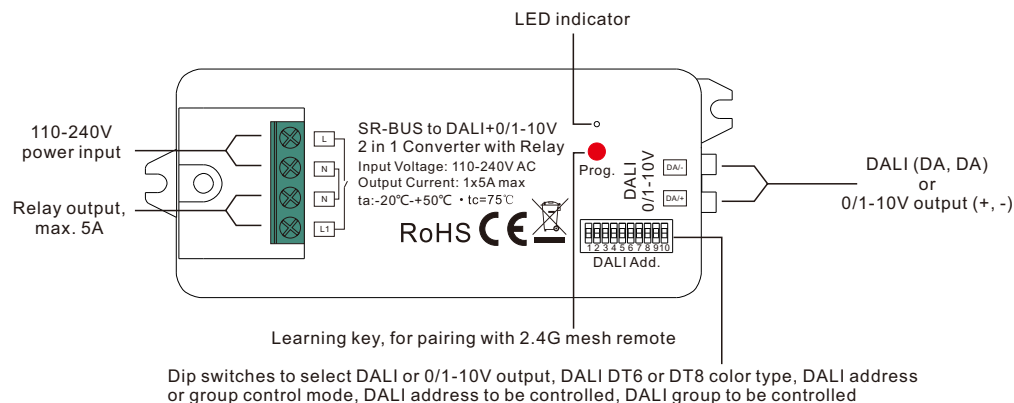
# 2.4G Mesh to DALI+0/1-10V 2 in 1 Converter

70200022



**Important:** Read All Instructions Prior to Installation

## Function introduction



## Product Data

Input		Output, DALI		Output, 0/1-10V	Output, relay		Environment		Others
Power	Signal	DALI PS current	DALI current consumption	Current	Switching voltage	Max. Current	Operating temperature	Relative humidity	Dimensions
110-240VAC	2.4G Mesh	Max. 50mA	Max. 4mA	Max. 20mA	110-240VAC	Incandescent: 5A LED: 1.6A	-20°C+50°C	8% to 80%	95x37x20mm

- 2.4G mesh to DALI+0/1-10V 2 in 1 converter
- 2.4G mesh signal input, DALI signal output to DALI line or 0/1-10V signal output, 110-240VAC power input
- With relay output, max. 5A for traditional incandescent & HV halogen lamps, max 1.6A for LED load
- Controlled through both RF remote and smart App, no gateway required
- Easy & quick pairing to the smart App by simply pushing the Prog. button
- Mesh network, much longer control distance, transmits received signal to neighbor devices
- Cloud control is available for remote access, works with Amazon Alexa and Google Home
- DALI signal or 1-10V signal output selectable by DIP switch
- Built-in DALI bus power supply, no extra DALI bus PS required
- With max. 50mA DALI bus power current output
- To supply control current to up to 25 DALI control gears
- DALI DT6 or DT8 device type selectable by DIP switch under DALI mode
- Enables to select different DALI device types to control: RGBCCT(RGBWA), RGBW(RGBW), RGB(XY coordinate), CCT(Tc), DIM, ON/OFF using the smart APP
- Color control according to DALI specifications of Device Type 8,
- Color type: Tc, XY coordinates, RGBW selectable by DIP switches
- DALI address control mode or group control mode selectable by DIP switch
- Enables to select the DALI address (00-63) to be controlled by DIP switches

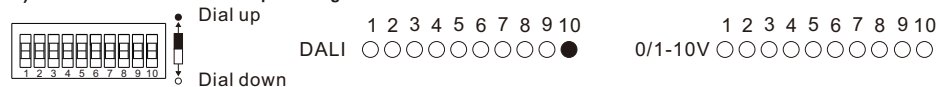
- Enables to select the DALI group (0-15) to be controlled by DIP switches
- Enable to control 1 DALI Group of devices or 1 DALI Address on DALI line
- Enable to control all devices on DALI line via broadcast
- Waterproof grade: IP20

## Safety & Warnings

- Please set the DIP switches with power applied to the device.
- DO NOT install with power applied to device.
- DO NOT expose the device to moisture.

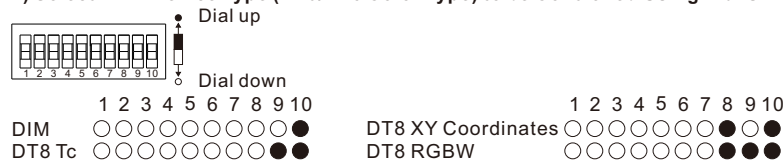
## Operation

### 1) Select DALI or 0/1-10V Output Using Dial Switch 10



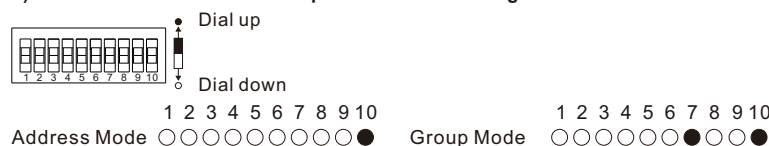
**Note:** please first select output signal by the dial switch.

### 2) Select DALI Device Type (DT6/DT8 Color Type) to be Controlled Using Dial Switches 8-9



**Note:** once DALI output is selected, please then select the DALI device type you would like to control by the dial switches.

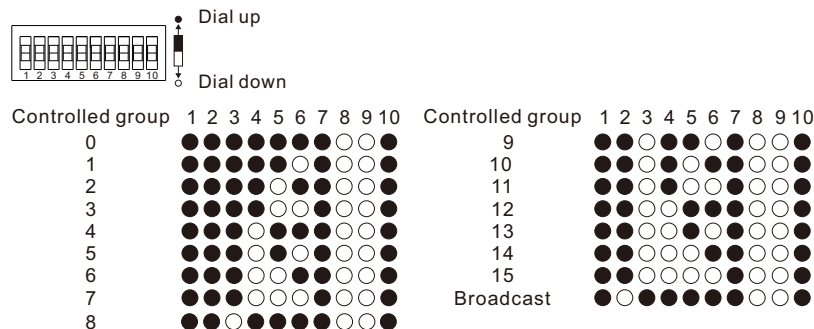
### 3) Select DALI Address or Group Control Mode Using Dial Switch 7



**Note:** once DALI device type is selected, please then select address control mode or group control mode by dial switch.

### 4) Select the DALI Group to be Controlled Using Dial Switches 2-6

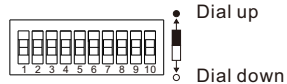
**Note:** here device type is selected as DIM as an example, please select your correct DALI device type.



- Note:**
- 1) once DALI device type and group control mode are selected, please then select the DALI group (0-15 selectable) to be controlled on DALI line by dial switches.
  - 2) The control gears that are assigned to the selected DALI group on DALI line will be controlled.
  - 3) The control gears shall be first grouped by a DALI master controller, please refer to the user manual of corresponding master controller.

### 5) Select the DALI Address to be Controlled Using Dial Switches 1-6

Note: here device type is selected as DIM as an example, please select your correct DALI device type.



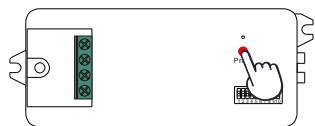
Controlled address	1	2	3	4	5	6	7	8	9	10	Controlled address	1	2	3	4	5	6	7	8	9	10		
00	●	●	●	●	●	●	○	○	○	●	32	○	●	●	●	●	○	○	○	○	○	●	
01	●	●	●	●	○	○	○	○	○	●	33	○	○	○	○	○	○	○	○	○	○	○	●
02	●	●	●	○	○	○	○	○	○	○	34	○	○	○	○	○	○	○	○	○	○	○	○
03	●	●	○	○	○	○	○	○	○	○	35	○	○	○	○	○	○	○	○	○	○	○	○
04	●	●	○	○	○	○	○	○	○	○	36	○	○	○	○	○	○	○	○	○	○	○	○
05	●	○	○	○	○	○	○	○	○	○	37	○	○	○	○	○	○	○	○	○	○	○	○
06	●	○	○	○	○	○	○	○	○	○	38	○	○	○	○	○	○	○	○	○	○	○	○
07	●	○	○	○	○	○	○	○	○	○	39	○	○	○	○	○	○	○	○	○	○	○	○
08	●	○	○	○	○	○	○	○	○	○	40	○	○	○	○	○	○	○	○	○	○	○	○
09	●	○	○	○	○	○	○	○	○	○	41	○	○	○	○	○	○	○	○	○	○	○	○
10	●	○	○	○	○	○	○	○	○	○	42	○	○	○	○	○	○	○	○	○	○	○	○
11	●	○	○	○	○	○	○	○	○	○	43	○	○	○	○	○	○	○	○	○	○	○	○
12	●	○	○	○	○	○	○	○	○	○	44	○	○	○	○	○	○	○	○	○	○	○	○
13	●	○	○	○	○	○	○	○	○	○	45	○	○	○	○	○	○	○	○	○	○	○	○
14	●	○	○	○	○	○	○	○	○	○	46	○	○	○	○	○	○	○	○	○	○	○	○
15	●	○	○	○	○	○	○	○	○	○	47	○	○	○	○	○	○	○	○	○	○	○	○
16	●	○	○	○	○	○	○	○	○	○	48	○	○	○	○	○	○	○	○	○	○	○	○
17	●	○	○	○	○	○	○	○	○	○	49	○	○	○	○	○	○	○	○	○	○	○	○
18	●	○	○	○	○	○	○	○	○	○	50	○	○	○	○	○	○	○	○	○	○	○	○
19	●	○	○	○	○	○	○	○	○	○	51	○	○	○	○	○	○	○	○	○	○	○	○
20	●	○	○	○	○	○	○	○	○	○	52	○	○	○	○	○	○	○	○	○	○	○	○
21	●	○	○	○	○	○	○	○	○	○	53	○	○	○	○	○	○	○	○	○	○	○	○
22	●	○	○	○	○	○	○	○	○	○	54	○	○	○	○	○	○	○	○	○	○	○	○
23	●	○	○	○	○	○	○	○	○	○	55	○	○	○	○	○	○	○	○	○	○	○	○
24	●	○	○	○	○	○	○	○	○	○	56	○	○	○	○	○	○	○	○	○	○	○	○
25	●	○	○	○	○	○	○	○	○	○	57	○	○	○	○	○	○	○	○	○	○	○	○
26	●	○	○	○	○	○	○	○	○	○	58	○	○	○	○	○	○	○	○	○	○	○	○
27	●	○	○	○	○	○	○	○	○	○	59	○	○	○	○	○	○	○	○	○	○	○	○
28	●	○	○	○	○	○	○	○	○	○	60	○	○	○	○	○	○	○	○	○	○	○	○
29	●	○	○	○	○	○	○	○	○	○	61	○	○	○	○	○	○	○	○	○	○	○	○
30	●	○	○	○	○	○	○	○	○	○	62	○	○	○	○	○	○	○	○	○	○	○	○
31	●	○	○	○	○	○	○	○	○	○	63	○	○	○	○	○	○	○	○	○	○	○	○

Note: 1) once DALI device type and address control mode are selected, please then select the DALI address (00-63 selectable) to be controlled on DALI line by dial switches.  
2) The control gear with the selected DALI address on DALI line will be controlled.

### Operation

Do wiring according to connection diagram.

Set LED controller into pairing with 2.4G mesh remote mode



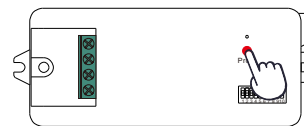
Click the prog. button once, or reset power of the controller 3 times continuously

Set LED controller into pairing with HomeLife APP



Double click the prog. button, or reset power of the controller 2 times continuously

### Reset the LED Controller to factory setting



Press and hold down the "Prog." button on the controller for over 3 seconds (or reset power of the device 8 times continuously), the connected light flashes, which means well reset

### Download and Install App

Download "HomeLife" app from App Store or Google Play or scan the QR codes below. Follow the direction in the app to connect your devices properly.



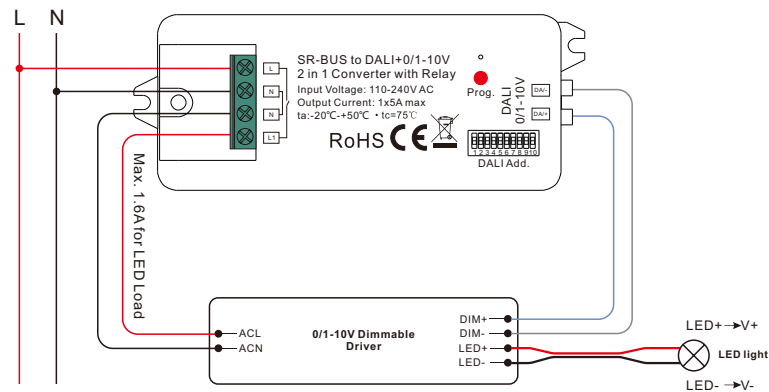
IOS QR Code



Android QR Code

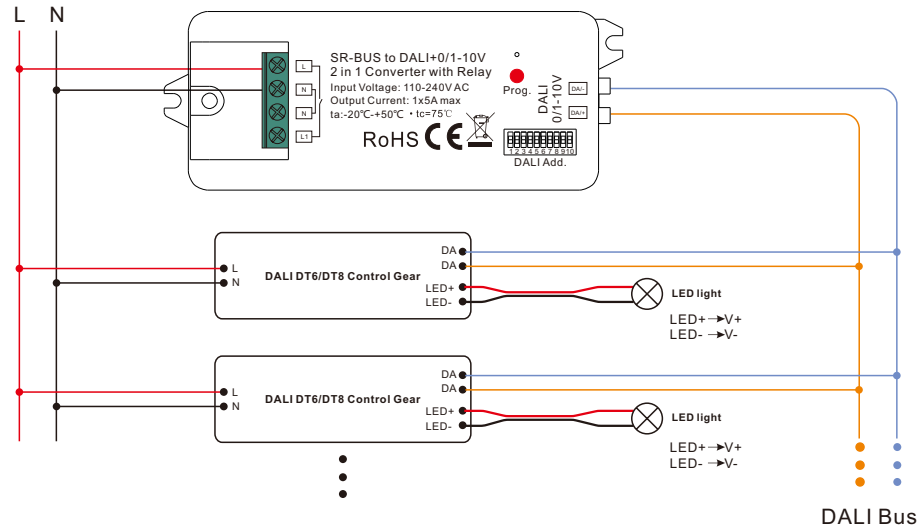
### Wiring Diagram

When 0/1-10V Output Selected



Note: the relay is only suggested to use when connected with 1-10V drivers which can not dim to off.

When DALI Output Selected



Note: Max. 50mA DALI bus PS output to supply control current to up to 25 control gears.

## Dimensions

